

SS4

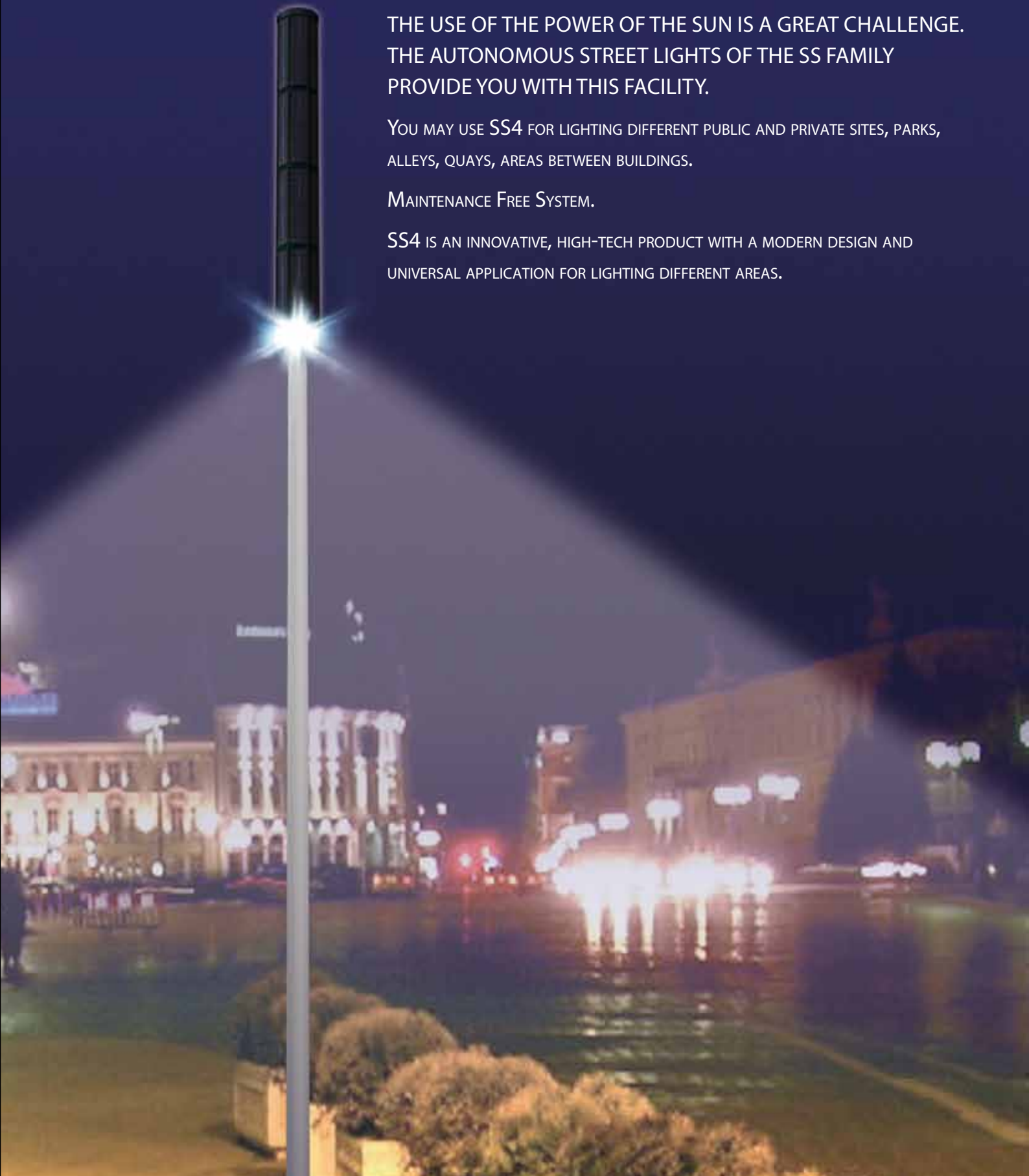
SOLAR LED STREET LIGHT

THE USE OF THE POWER OF THE SUN IS A GREAT CHALLENGE. THE AUTONOMOUS STREET LIGHTS OF THE SS FAMILY PROVIDE YOU WITH THIS FACILITY.

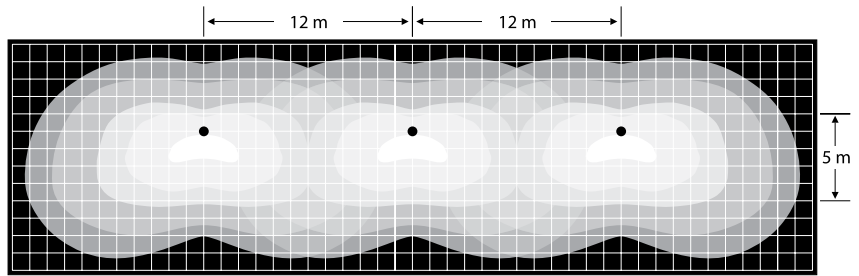
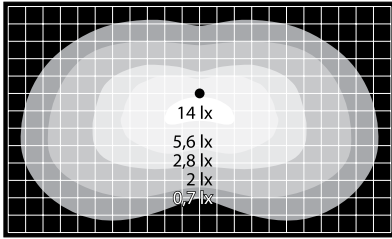
YOU MAY USE SS4 FOR LIGHTING DIFFERENT PUBLIC AND PRIVATE SITES, PARKS, ALLEYS, QUAYS, AREAS BETWEEN BUILDINGS.

MAINTENANCE FREE SYSTEM.

SS4 IS AN INNOVATIVE, HIGH-TECH PRODUCT WITH A MODERN DESIGN AND UNIVERSAL APPLICATION FOR LIGHTING DIFFERENT AREAS.



SS4 A 800 lm $h^* = 3 \text{ m}$

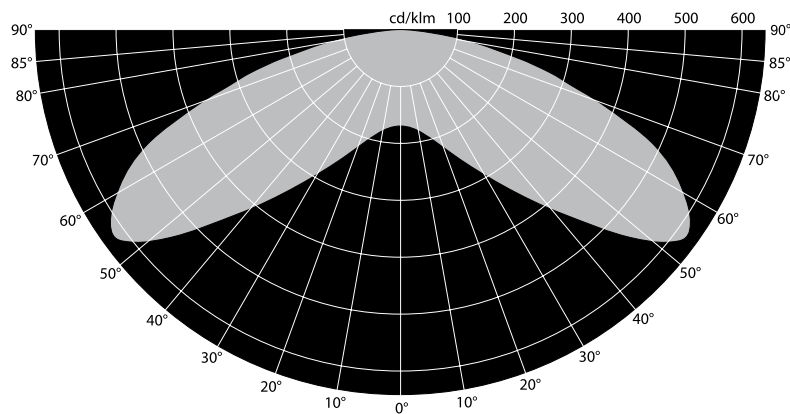


Illuminance

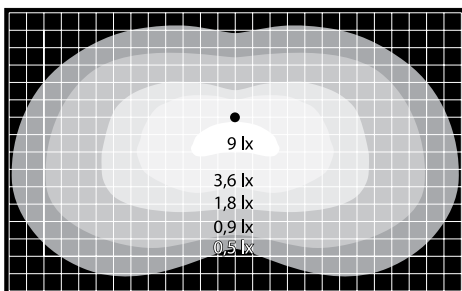
distance [m]	path with [m]	area [m ²]	E _{max} [lx]	E _{min} [lx]	k ^{**}
12	5	60	14	7	0.5
13.5	6	81	14	5.6	0.4
15	7	105	14	4.2	0.3
18	8	144	14	0.7	-

Average illuminance measured at 1.5 m above the surface $E_{mid} = 40 \text{ lx}$

$k = 0.5$



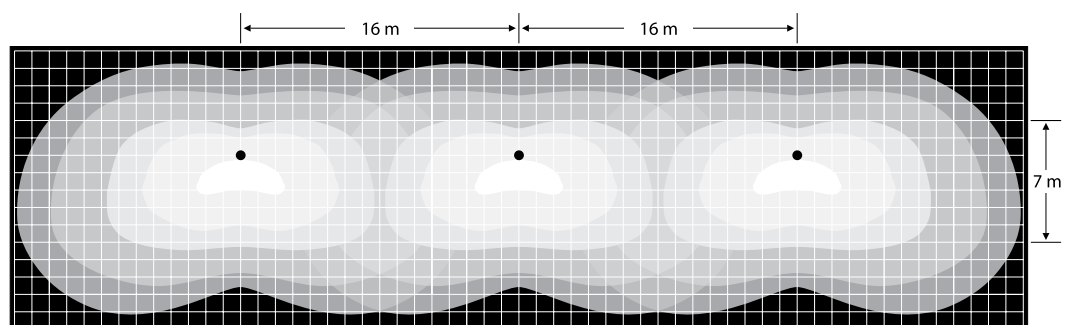
SS4 A 800 lm $h^* = 4 \text{ m}$



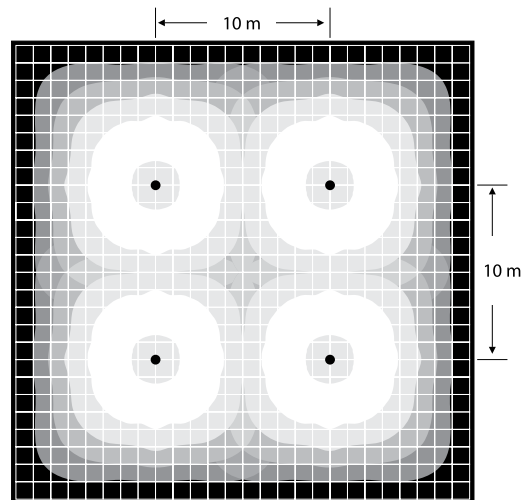
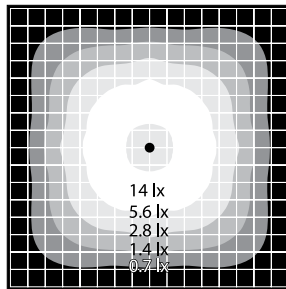
Illuminance

distance [m]	path with [m]	area [m ²]	E _{max} [lx]	E _{min} [lx]	k ^{**}
16	7	112	9	4.5	0.5
18	8	144	9	3.6	0.4
20	9	160	9	2.7	0.3
25	10	250	9	0.5	-

Average illuminance measured at 1.5 m above the surface $E_{mid} = 34 \text{ lx}$



SS4 P 800 lm h* = 3 m

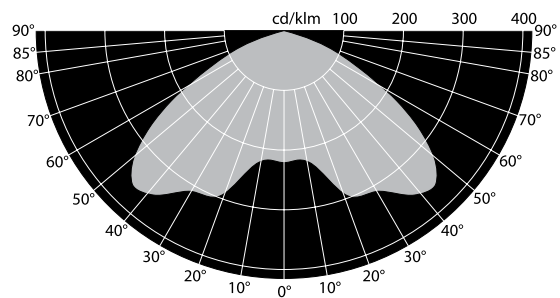


Illuminance

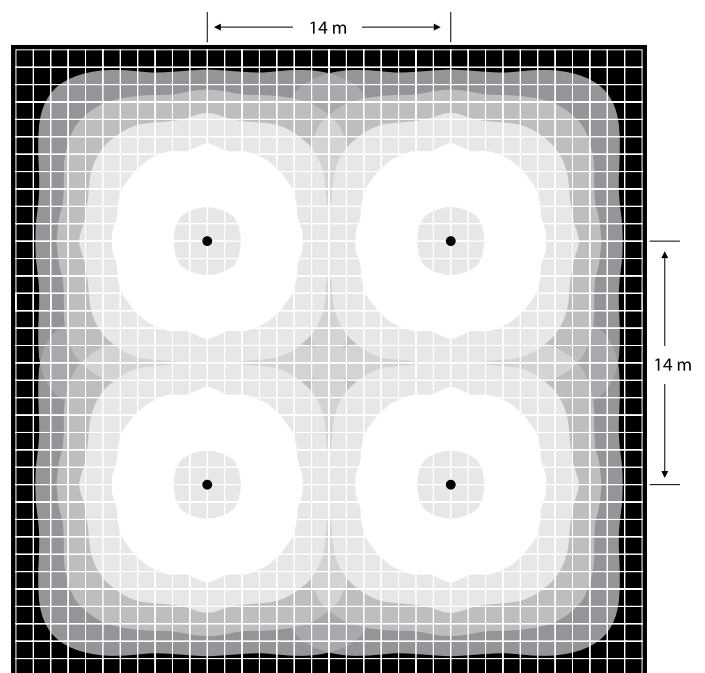
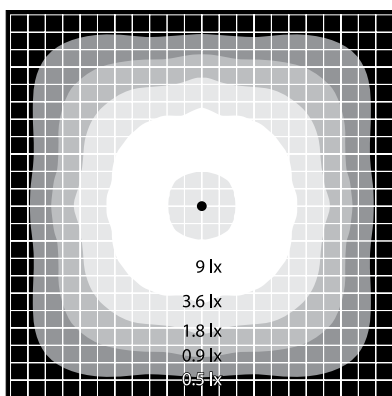
distance [m]	area [m ²]	E _{max} [lx]	E _{min} [lx]	k**
10	100	13	5.2	0.4
14	196	13	0.6	-

Average illuminance measured at 1.5 m above the surface E_{mid} = 36 lx

k = 0.4



SS4 P 800 lm h* = 4 m



Illuminance

distance [m]	area [m ²]	E _{max} [lx]	E _{min} [lx]	k**
14	196	7	2.8	0.4
20	400	7	0.4	-

Average illuminance measured at 1.5 m above the surface E_{mid} = 24 lx

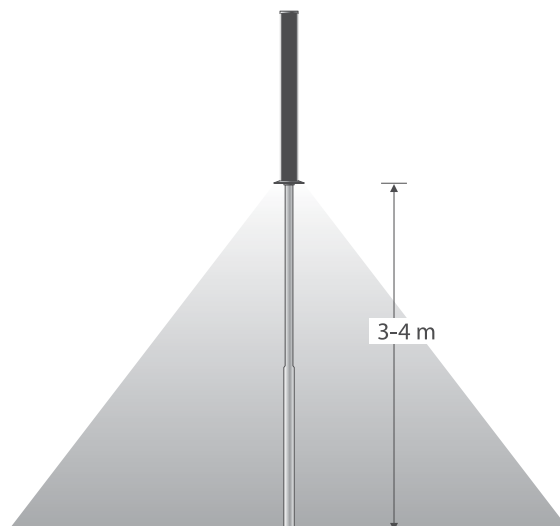
* h - light spot height

** k - coefficient of brightness uniformity

SS4

FEATURES

- Compact design – all components are in one common body.
- Handiness for storage and transport.
- Facility for installation on different poles and on places as per clients request.
- Facility for installation on existing poles.
- Facility for intelligent (mixed) power supply.
- Maximum efficiency in using the maximum sun lighting at the different latitudes.
- 2 different type of light spread up to 200 m²: P end A.
- Possibility for connecting of a in motion detector.
- Automatic night/day on/off & economy late night dimming.
- Authonomy in nominal mode 36 hours (3,1 nights)
- Authonomy in late night dimming mode 51 hours (4,2 nights):
 Factory preset: 50 % illuminance decreasing after 4 hours till 1 h before dawn;
 User specified: – illuminance decreasing 20 ÷ 90 %;
 – dimming start 2 ÷ 8 hours;
 – dimming stop 0,5 ÷ 3 h before dawn.
- Remote control available
- Operating temperature from -35° up to +70°C
- Maximum air humidity 95 %
- Protection category IP 65



Recommended height for installation on the pole

LIGHT SOURCE

LED Power Dissipation	8,6 W
Led driver Power Efficiency	96 %
Total Power Dissipation	9 W
LED Light Output	139 lm/W
Current Efficiency	74 %
LED Luminous Flux	925 lm
Junction Temperature at Ta = 25°C	55°C
Thermal Efficiency	94 %
Lens Efficiency	92 %
Real Luminaire Efficacy (LER)	89 lm/W
Color Rendering Index (CRI)	65 ÷ 80
Real Lamp Luminous Flux for:	
Cool White (CRI = 65)	800 lm
Neutral White (CRI = 75)	750 lm
Warm White (CRI = 80)	630 lm
Zero Light Pollution	0 cd at 90°
Lifespan L70	120 000 h (27 years)

SOLAR CHARACTERISTICS

Solar Module Type	Monocrystalline
Peak Power	58 Wp
Life Expectancy	25 years

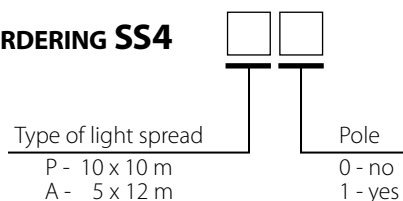
PHYSICAL CHARACTERISTICS – LIGHTS

Body Material	Aluminum cast alloy + Polycarbonate UV stabilized
Height	1240 mm
Tube Diameter	ø 160 mm
Diameter	ø 276 mm
Diameter of the pole at the place of fixing	from ø 60 up to ø 76 mm
Mass	16 kg

BATTERY

Type	Sealed maintenance free, Flame retardant, Lithium technology
Capacity	40 Ah
Nominal voltage	10 V
Charging	built in intelligent charge controller (BMS & MPPT)
Lifespan	22 years (8 000 charging cycles)

ORDERING SS4



C E EN61000-6-3:1997, EN61000-6-1:1997
 Quality Assurance ISO 9001:2000; AQAP 2110



AURA Network Corporation Ltd.
 77 Goulden House, Bullen Street,
 London SW11 3HQ, England, UK

T: + 44 (0) 8450556303
 T: + 44 (0) 8450556305
 F: + 44 (0) 8458331067

M: +44 (0) 7947863888
 E: welcome@auracorporation.net
 www.auracorporation.net